

CUSTOM ORDER FORM

RAILSHADE 900

a cassette blind made by **OCEANair**

Customer Name	Date
Address	Is this an Quote or Order ?
	Quote: <input type="checkbox"/> :
	Order <input type="checkbox"/> Order No.:
	Delivery address (if different)
Tel	Fax

Please note that despatch of custom units is 2/3 weeks from receipt of order.

Item	Overall Width (Z) ¹	or Cloth Width (X) ²	Cloth Drop (Y) ³	Qty	Fabric ⁴	Housing Colour ⁵	Hold Down Options ⁶	Fixing
1					<input type="checkbox"/>	<input type="checkbox"/> silver anodised <input type="checkbox"/>	<input type="checkbox"/> toggle <input type="checkbox"/> long toggle <input type="checkbox"/> peg <input type="checkbox"/> mini grip	<input type="checkbox"/> top face <input type="checkbox"/>
2					<input type="checkbox"/>	<input type="checkbox"/> silver anodised <input type="checkbox"/>	<input type="checkbox"/> toggle <input type="checkbox"/> long toggle <input type="checkbox"/> peg <input type="checkbox"/> mini grip	<input type="checkbox"/> top face <input type="checkbox"/>
3					<input type="checkbox"/>	<input type="checkbox"/> silver anodised <input type="checkbox"/>	<input type="checkbox"/> toggle <input type="checkbox"/> long toggle <input type="checkbox"/> peg <input type="checkbox"/> mini grip	<input type="checkbox"/> top face <input type="checkbox"/>
4					<input type="checkbox"/>	<input type="checkbox"/> silver anodised <input type="checkbox"/>	<input type="checkbox"/> toggle <input type="checkbox"/> long toggle <input type="checkbox"/> peg <input type="checkbox"/> mini grip	<input type="checkbox"/> top face <input type="checkbox"/>

¹ Please provide either 'X' or 'Z' measurement

² Width: Min 300 mm (11³/₄") - Max 1000 mm (39³/₈") in standard fabric

³ Drop: Max 900 mm (35³/₈") in standard fabric

⁴ Fabric available – Standard Solar Shield, White Odyssey, Rayure, Soltis, PVC in white, cream, grey, black

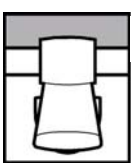
⁵ Alternative housing colour available – beige, white, grey, black

⁶ Alternative hold down options – see below

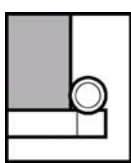
Note: Blinds over 800 mm (31¹/₂") wide have two handles

(All dimensions converted to nearest 1/8". If sizes critical, please use metric measurements)

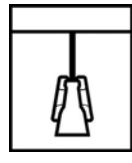
Carriage	
Sub Total	
VAT	
Total	
Job No.	
Despatch Date	



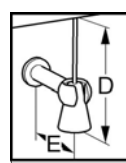
Mini Grip



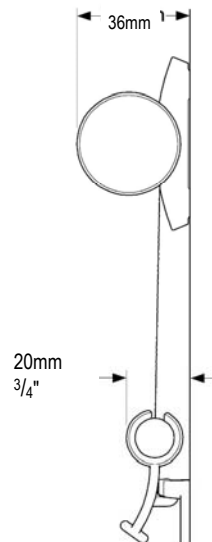
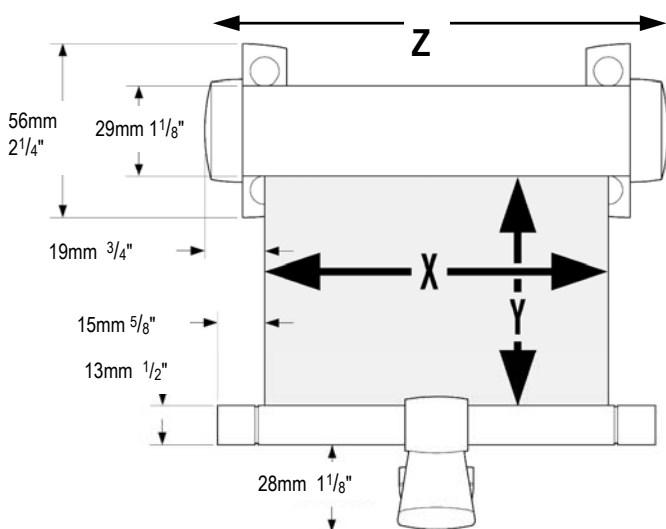
Peg



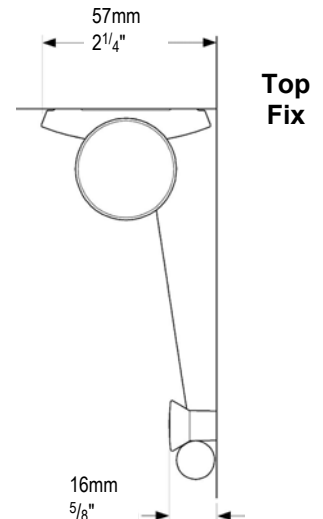
Toggle



Long Fix Toggle
D = 80mm
E = 35mm



Face Fix



Top Fix

Oceanair Marine Limited Chichester PO20 0AY England

Tel +44 (0)1243 606909 Fax +44 (0)1243 6068300 www.oceanair.co.uk E-mail TechSupport@oceanair.co.uk