

SKYSCREEN ROLLER SURFACE MEASURING GUIDE

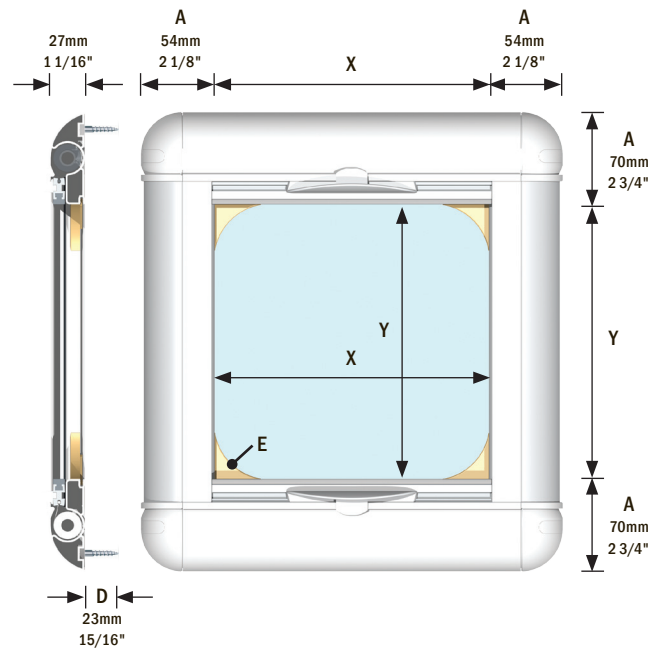
You will need
Tape measure.



Measuring guide

- ① Measure both the width (X) and height (Y) of the aperture.
Note, if the hatch has a trim you must either add this to the X and Y measurements (B), or carefully cut the trim away leaving behind a flat surface for blind installation (C).
- ② Ensure that you have sufficient space around the hatch aperture to accommodate the overall size of the Skyscreen (A). This area is to be free from obstructions and away from any heat sources.
- ③ Match the overall X and Y aperture measurements with the list of available sizes below. Always choose a larger size if unsure.
- ④ Ensure that the thickness of the boat structure at the proposed mounting position is deep enough to prevent the fixing screws from breaking through (D).

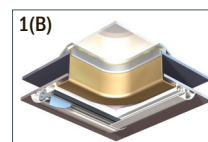
Visit www.oceanair.co.uk/skyscreenrollersurface for step-by-step installation instructions



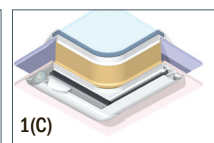
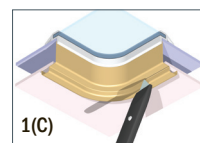
Standard sizes

PART NO	TO FIT HATCH	APERTURE SIZE	
		X	Y
SFSS-10	LEWMAR 10	261mm (10 1/4")	261mm (10 1/4")
SFSS-20	LEWMAR 20	347mm (13 5/8")	203mm (8")
SFSS-30	LEWMAR 30	457mm (18")	327mm (12 7/8")
SFSS-40	LEWMAR 40	421mm (16 5/8")	421mm (16 5/8")
SFSS-44	LEWMAR 44	442mm (17 3/8")	442mm (17 3/8")
SFSS-50	LEWMAR 50	507mm (20")	378mm (14 7/8")
SFSS-54	LEWMAR 54	507mm (20")	392mm (15 3/8")
SFSS-60	LEWMAR 60	507mm (20")	507mm (20")
SFSS-70	LEWMAR 70	627mm (24 5/8")	627mm (24 5/8")
SFSS-1000	BOMAR 1000	273mm (10 3/8")	273mm (10 3/8")
SFSS-1029	BOMAR 1029	339mm (13 3/8")	470mm (18 1/2")
SFSS-1039	BOMAR 1039	514mm (20 1/4")	514mm (20 1/4")
SFSS-1049	BOMAR 1049	638mm (25 1/8")	638mm (25 1/8")
SFSS-1070	BOMAR 1070	419mm (16 1/2")	419mm (16 1/2")
SFSS-1080	BOMAR 1080	470mm (18 1/2")	470mm (18 1/2")
SFSS-12/12	TAYLOR 1212HS	305mm (12")	305mm (12")
SFSS-20/20	TAYLOR 2020HS	508mm (20")	508mm (20")
SFSS-22/22	TAYLOR 2222HS	559mm (22")	559mm (22")

Corner radius = R42 (E)



1(B)
Installation around existing hatch trim.



1(C)
Installation over existing ABS hatch trim.

For further information or measuring assistance, please contact your local Oceanair Distributor:
www.oceanair.co.uk/distributors.

Oceanair Marine (UK): +44 (0)1243 606 909 techsupport@oceanair.co.uk
Oceanair Marine (US): +1 802 362 5258 info@oceanairmarine.com