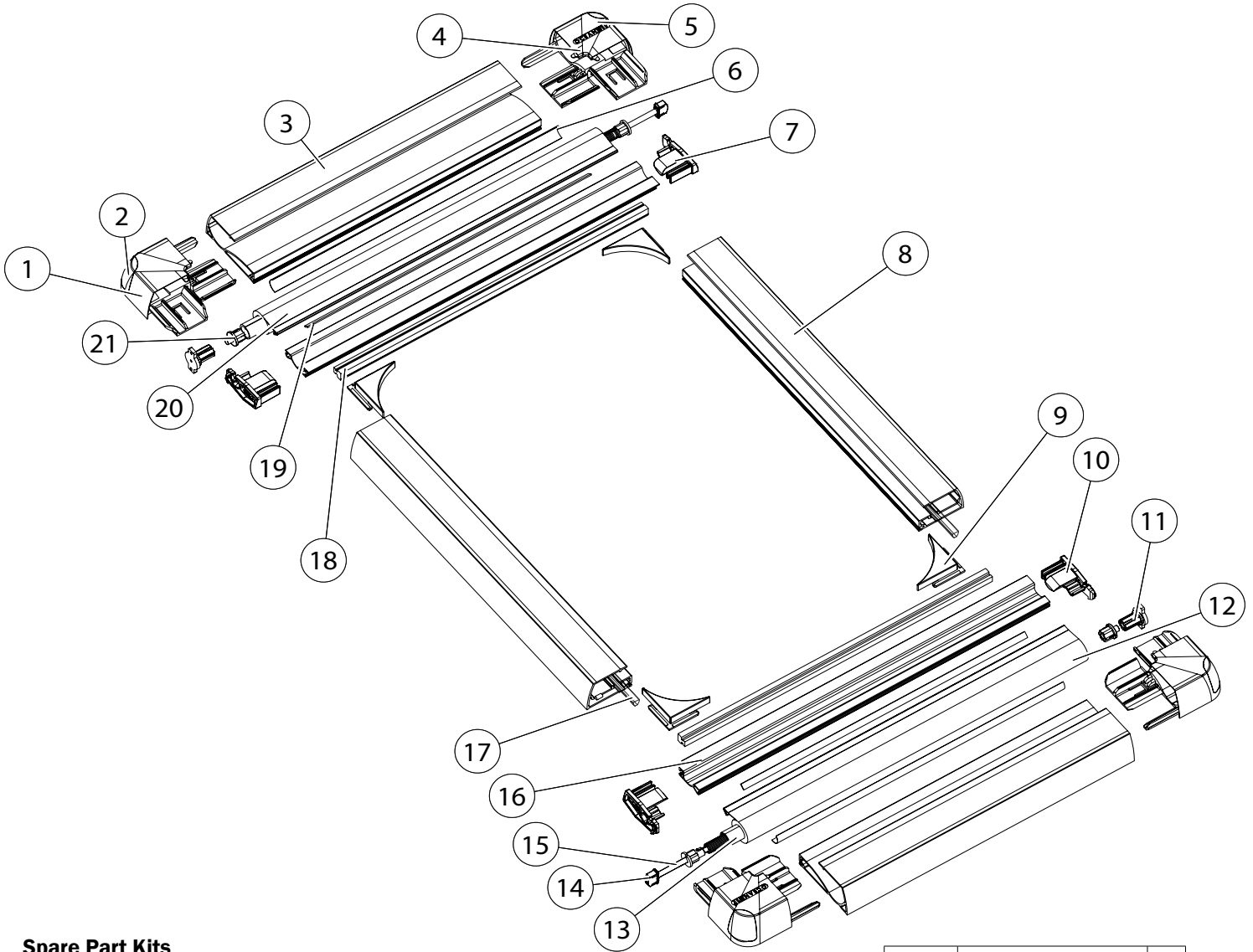


SKYSCREEN Roller Surface Mk3 Parts Diagram



Spare Part Kits

Blind assembly

Oceanair Kit Part No.	Kit Description	Item No's
AC-SRS-**-BLINDASS+XB	With crossbar	6, 7, 10, 13, 14, 15, 16, 19, 21 or 11
AC-SRS-**-BLINDASS	Without crossbar	6, 13, 14, 15, 19, 21 or 11

** Replace with X/Y dimensions of screen

Fly assembly

Oceanair Kit Part No.	Kit Description	Item No's
AC-SRS-**-FLYASS+XB	With crossbar	6, 7, 10, 12, 13, 14, 15, 16, 21 or 11
AC-SRS-**-FLYASS	Without crossbar	6, 12, 13, 14, 15, 21 or 11

** Replace with X/Y dimensions of screen

Corner mouldings

Oceanair Kit Part No.	Kit Description	Item No's
AC-SRS-CORNER CAP-W/B *4	Corner moulding Kit white or beige	1 - 2 off, 4 - 2 off

Screw covers

Oceanair Kit Part No.	Kit Description	Item No's
AC-SRS-SCREWCAP-W/B *4	Corner moulding screw cover white or beige	2 - 2 off, 5 - 2 off

BOM ID	Description	Qty
1	LH Corner moulding	2
2	LH Screw cover	2
3	Roller Cover	2
4	RH Corner moulding	2
5	RH Screw cover	2
6	Double sided tape	2
7	RH Crossbar end cap	2
8	Side rail	2
9	Corner radius	4
10	LH Crossbar end cap	2
11	Damper unit (optional)	2
12	Fly fabric	1
13	Roller	2
14	Tensioner	2
15	Spring A	2
16	Crossbar	2
17	Brush strip	2
18	Magnetic Strip	2
19	Edge strip	1
20	Blackout fabric	2
21	Idler bearing (optional)	2