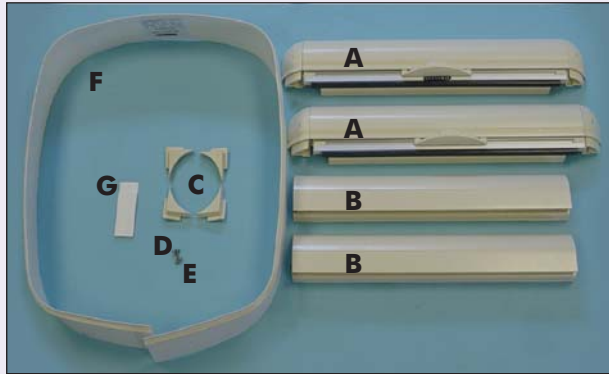


## Assembly & Fitting Instructions

Surface SKYscreen on Cruisers 40.



## Surface SKYscreen



### Contents

When you have unwrapped your SKYscreen, lay out the parts:

- 2 x Fly and blind cassette (A)
- 2 x Side Rail (B)
- 4 x Internal Corner Adapters as ordered (C)  
(radius available in 32mm (1 1/4"), 42mm (1 2/3") and 50mm (2"))
- 4 x Corner screws – No 8, 25mm (1") pan head (D)
- 4 x Side rail fixing screws – No 4, 6mm (1/4") pan head (E)
- 1 x Liner (Optional) (F)
- 1 x Liner joining strip (Optional) (G)

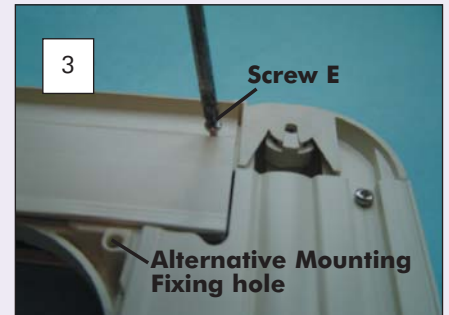
### Assembly



1. Slide corner adapters in grooves in fly and blind cassette.



2. Align corner legs and corner adapters with grooves in side rails.



3. Push and slot into place. Insert side rail fixing with Screw 'E'. *Alternative Fixing:* drill out corner adapters (above) and fix unit through these holes.

### Fitting

- Hold SKYscreen up to aperture to check fit.
- If unit is supplied with HATCHliner it is a precise fit – see separate instruction overleaf.
- Ensure fixing screws supplied are suitable for the headliner material.
- Pre-load screws by opening the screw fixing covers in the corners and winding in the first two or three threads.
- Alternative fixing position is available through the corner adapter. Drill adapter from back to open up the fixing hole. (see 'Alternative Mounting Fixing Point' – Picture 3).
- It is recommended that another person holds the unit in position while it is being fixed.
- Take care not to over-tighten screws. Snap close corner covers on completion.
- Test unit to ensure no distortion has taken place causing unit to jam.



Completed Surface SKYscreen without liner.

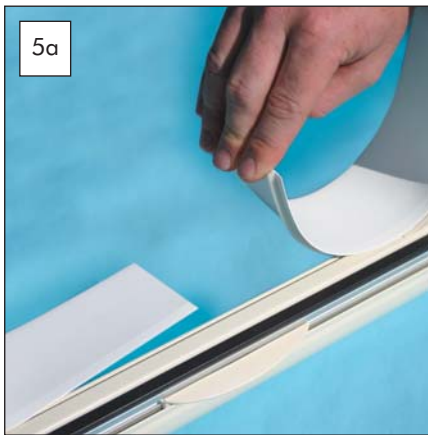
### TIP

Never use acetone or similar solvents to clean the extrusion. (Handle with care at all times as plastic can scratch)

## Fitting Instructions

### Surface SKYscreen & HATCHliner

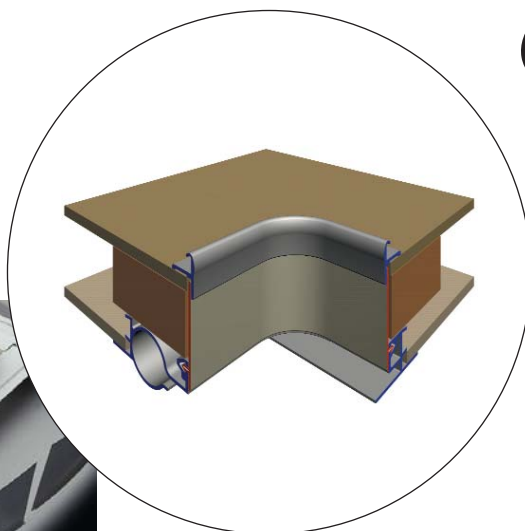
Size 63mm (2<sup>1</sup>/<sub>2</sub>" ) and 119mm (4<sup>3</sup>/<sub>4</sub>" )



- 1 When cutting the deck aperture for the hatch, make sure there is a 2mm gap around the hatch to allow the HATCHliner to fit behind the hatch down-flange.
- 2 The SKYscreen must be mounted directly underneath the hatch to ensure correct alignment.
- 3 Measure the distance between the hatch down-flange and the SKYscreen to determine whether the HATCHliner needs to be trimmed down in height. Allow a minimum overlap behind the hatch down-flange of 6mm (1/4"). The HATCHliner can be cut with strong scissors or a blade. For the best results, score and break.
- 4 The HATCHliner will normally be cut to the correct length to suit the inside perimeter of the SKYscreen that it is supplied with. It should not need adjustment.
- 5a Press the grip feature on the back face of the HATCHliner into the slot around the inside edge of the SKYscreen. Begin the installation directly above the handle of the SKYscreen. Push the HATCHliner firmly into the recess, especially around the corners.
- 5b The two ends of the HATCHliner are joined using the joint extrusion provided. To fit, enter each end of the liner into the slots on each side of the joint extrusion and press into position.

**TIP**  
Never use Acetone, or any similar solvents, to clean the HATCHliner.

Typical HATCHliner Installation.



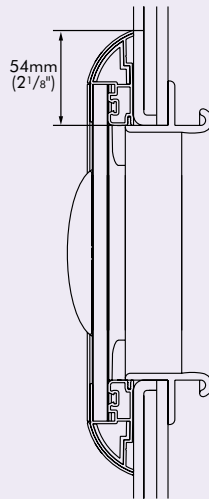
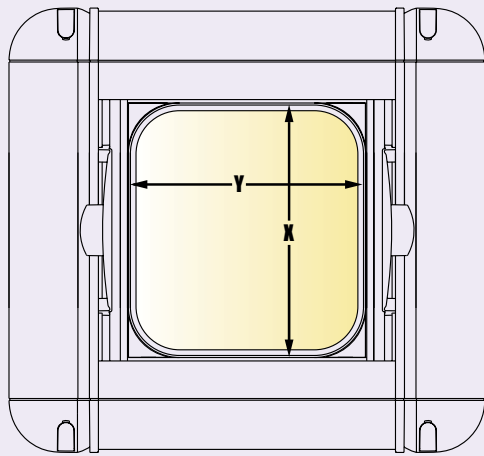
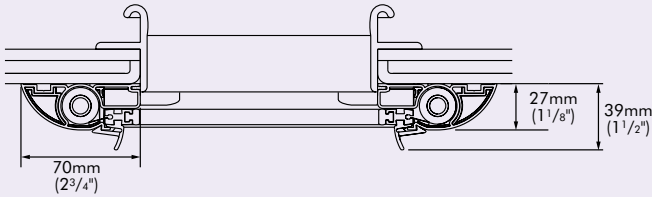
Complete SKYscreen & Liner.



## Product Information

### Dimensions

#### Surface SKYscreen



Overall dimensions of your Surface SKYscreen are X + 108mm (4 1/4") and Y + 140mm (5 1/2").

When selecting SFSS it is important to establish the type and manufacturer of hatch, dimensions, mounting location and interior design. For liner installations a precision fit is required as are the details of the corner radii and X and Y dimensions. Please note that these are only a sample of the range available; please contact your nearest Oceanair distributor or visit [www.oceanair.co.uk](http://www.oceanair.co.uk)

#### Aperture dimensions

Part Nos	Internal Clearance X x Y	
<b>SFSS-10</b>	261mm x 261mm	(10 1/4" x 10 1/4")
<b>SFSS-20</b>	347mm x 203mm	(13 5/8" x 8")
<b>SFSS-30</b>	457mm x 327mm	(18" x 12 7/8")
<b>SFSS-40</b>	421mm x 421mm	(16 5/8" x 16 5/8")
<b>SFSS-44</b>	442mm x 442mm	(17 3/8" x 17 3/8")
<b>SFSS-50</b>	507mm x 378mm	(20" x 14 7/8")
<b>SFSS-54</b>	507mm x 392mm	(20" x 15 3/8")
<b>SFSS-60</b>	507mm x 507mm	(20" x 20")
<b>SFSS-70</b>	627mm x 627mm	(24 5/8" x 24 5/8")
<b>SFSS-1000</b>	273mm x 273mm	(10 3/8" x 10 3/8")
<b>SFSS-1029</b>	339mm x 470mm	(13 3/8" x 18 1/2")
<b>SFSS-1070</b>	419mm x 419mm	(16 1/2" x 16 1/2")
<b>SFSS-1080</b>	470mm x 470mm	(18 1/2" x 18 1/2")
<b>SFSS-1039</b>	514mm x 514mm	(20 1/4" x 20 1/4")
<b>SFSS-1049</b>	638mm x 638mm	(25 1/8" x 25 1/8")
<b>SFSSRD-1139</b>	518mm Round	(20 1/4" Round)
includes thru-deck mounting		
<b>SFSS-12/12</b>	305mm x 305mm	(12" x 12")
<b>SFSS-20/20</b>	508mm x 508mm	(20" x 20")

#### Overall dimensions

Part Nos	Overall Dimensions	
<b>SFSS-10</b>	368mm x 400mm	(14 1/2" x 15 3/4")
<b>SFSS-20</b>	455mm x 342mm	(17 7/8" x 13 1/2")
<b>SFSS-30</b>	565mm x 467mm	(22 1/4" x 18 3/8")
<b>SFSS-40</b>	529mm x 561mm	(20 7/8" x 22 1/8")
<b>SFSS-44</b>	550mm x 582mm	(21 5/8" x 22 7/8")
<b>SFSS-50</b>	615mm x 517mm	(24 1/4" x 20 3/8")
<b>SFSS-54</b>	615mm x 532mm	(24 1/4" x 21")
<b>SFSS-60</b>	615mm x 647mm	(24 1/4" x 25 1/2")
<b>SFSS-70</b>	735mm x 767mm	(28 7/8" x 30 1/4")
<b>SFSS-1000</b>	383mm x 415mm	(15 1/8" x 16 3/8")
<b>SFSS-1029</b>	578mm x 480mm	(22 3/4" x 18 7/8")
<b>SFSS-1070</b>	528mm x 560mm	(20 3/4" x 22")
<b>SFSS-1080</b>	578mm x 610mm	(22 3/4" x 24")
<b>SFSS-1039</b>	623mm x 655mm	(24 1/2" x 25 3/4")
<b>SFSS-1049</b>	748mm x 780mm	(29 1/2" x 30 3/4")
<b>SFSSRD-1139</b>	701mm x 733mm	(27 5/8" x 28 7/8")
includes thru-deck mounting		
<b>SFSS-12/12</b>	413mm x 445mm	(16 1/4" x 17 1/2")
<b>SFSS-20/20</b>	614mm x 646mm	(24 1/8" x 25 3/8")

All dimensions converted to nearest 1/8". If size critical use metric measurement.

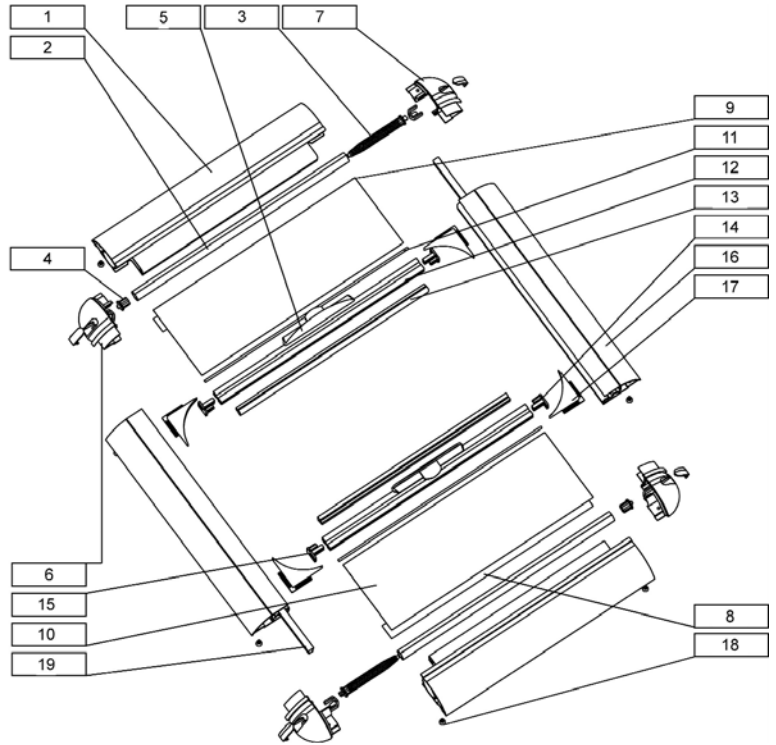
Parts list for:

## Surface SKYscreen (SFSS)

ALL PARTS 2 OFF UNLESS OTHERWISE STATED

- 1 Roller cover  
43143810001 (Sand) or 431438270000 (Cream)
- 2 Roller extrusion  
10003970000
- 3 Roller spring  
40001910000 (version A)  
401223310000 (version A2)  
40001890000 (version B)
- 4 Roller bearing
- 5 Handle  
Set = 4314059001 (Cream) or 43143940009 (Sand)
- 6 LH Corner moulding + LH Screw cover + LH screw cover clip
- 7 RH Corner moulding + RH Screw cover + RH screw cover clip  
Set = 43143930009 (Sand) or 43140380001 (Cream)
- 8 D/S tape  
5002052000
- 9 Blackout (1 only)  
10000650000
- 10 Flyscreen (1 only)  
10104970001
- 11 Monofilament  
4012214000 (Flyscreen)  
4012213000 (Blackout)
- 12 Crossbar  
11808760005
- 13 Magnet  
11808600000
- 14 LH Crossbar end cap
- 15 RH Crossbar end cap  
Set = (to be advised)
- 16 Side rail  
43143820001 (Sand) or 43138260000 (Cream)
- 17 Radius corners (4 off)  
R30 = 431405700001 (Cream) or 43143950009 (Sand)  
R40 = 43140580001 (Cream) or 43143960009 (Sand)  
R50 = 43140590001 (Cream) or 43143970009 (Sand)
- 18 Assembly screws (8 off) - (No4 x 6.0 pozi pan head)  
41002970000
- 19 Brushstrip 11808830004

OCEANair



### Care & Maintenance

- To ensure smooth operation of the blinds in the runners, use a light lubricant such as silicon spray – never use grease or oil.
- The spring systems are stainless steel and require no servicing.
- All parts of Oceanair products may be replaced in the event of damage. To identify the unit size for spare parts information, look at the label on the back of the frame.
- The fabric of the blind is polyester and can be wiped clean. If the blind gets wet, pull out and leave to dry naturally.
- Spring tension may be altered.



### TIP

Blind tensioning  
Full technical details for  
re-tensioning the blind  
are available on  
[www.oceanair.co.uk](http://www.oceanair.co.uk)

OCEANair

Oceanair Marine Ltd Chichester PO20 0AY England

T: +44 (0)1243 606909 F: +44 (0)1243 608300 E: [TechSupport@oceanair.co.uk](mailto:TechSupport@oceanair.co.uk) W: [www.oceanair.co.uk](http://www.oceanair.co.uk)

