

RAILSHADE

Order Form and Product Guide

Customer _____
 Address _____

Tel _____
 Fax _____
 Mobile _____
 Email _____

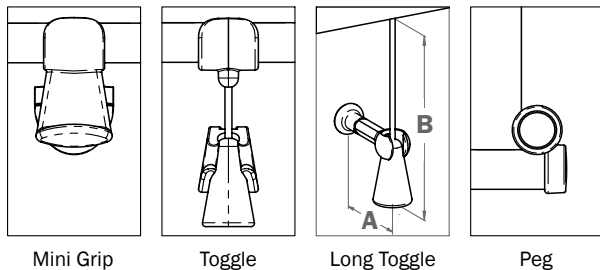
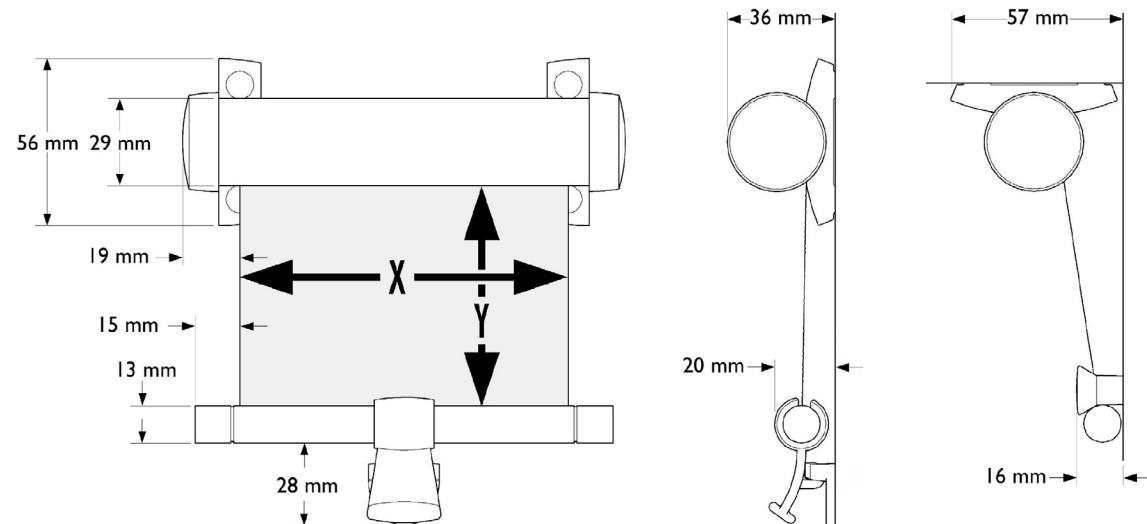
Order Quote
 Project Name _____
 Project Location _____
 Date _____

Window ID	Location	Dimension Info			Fabric	Housing Colour	Hold Down Options	Additional Pegs Required	Fixings	Qty
		Overall width (Z)	or ¹ Fabric Width (X) ²	Fabric Drop (Y) ³						
					Solar White Shield <input type="checkbox"/> From Collection <input type="checkbox"/> Code _____	Silver Anodized <input type="checkbox"/> White <input type="checkbox"/> Beige <input type="checkbox"/>	Mini Grip <input type="checkbox"/> Toggle <input type="checkbox"/> Long Toggle <input type="checkbox"/> Pegs <input type="checkbox"/>	Qty _____	Top <input type="checkbox"/> Face <input type="checkbox"/>	
					Solar White Shield <input type="checkbox"/> From Collection <input type="checkbox"/> Code _____	Silver Anodized <input type="checkbox"/> White <input type="checkbox"/> Beige <input type="checkbox"/>	Mini Grip <input type="checkbox"/> Toggle <input type="checkbox"/> Long Toggle <input type="checkbox"/> Pegs <input type="checkbox"/>	Qty _____	Top <input type="checkbox"/> Face <input type="checkbox"/>	

1. Please provide either 'X' or 'Z' measurement.
2. Width: Min 300 mm (11^{3/4}") - Max 1000 mm (39^{3/8}") in standard fabric.
3. Maximum drop is dictated by the chosen fabric.

Pegs Supplied				
Hold Down Option	Mini Grip	Toggle	Long Toggle	Pegs
No. of Pegs	2	2	2	4

4. Standard fabric is Solar Shield White, for other fabrics see fabric collection.
 5. Pegs are supplied as standard when selecting Hold down options, they can be used in addition to the option chosen or for deploying the blind halfway. If more are required, please state quantity above.
- * Blinds over 800 mm (31^{1/2}") wide have two handles (All dimensions converted to the nearest 1/8". If sizes are critical, please use metric measurements)



A = 35.4mm [1 3/8"]
 B = 80.4mm [3 1/8"]