

NEWS BULLETIN



To: All Dometic Blinds Distributors & Sales Professionals

Date: November 1st, 2020

RE: The Mk4 Recessed Skyscreen will be discontinued May 1st 2021, and replaced with the Mk5 Recessed Skyscreen

Dear All,

As of **1st May 2021**, Dometic Blinds will be discontinuing the **Mk4** Skyscreen Recessed.

It will be directly replaced by the **Mk5** Skyscreen Recessed.

The Mk5 brings a variety of benefits and upgraded features for customers, including:

- New and improved corners, with a new overlap on join between corner moulding and frame to eliminate any gaps
- Screw covers have been changed to discs, making them visually neater and allowing for easier screw access
- Introduced a new improved crossbar by changing the method of joining fabric to the cross bars from monofilament to a contained edge strip, all wrinkles are removed and there is no exposed adhesive, creating a smoother, cleaner finish
- Handles have been improved to make them easier to install, and eliminates any unsightly crimping during operation
- New recoil damper option added, providing a smoother retraction motion when in use

The Mk5 Skyscreen Recessed has a slightly larger footprint than the Mk4, which allows space for longer drops and these improved, more robust features.

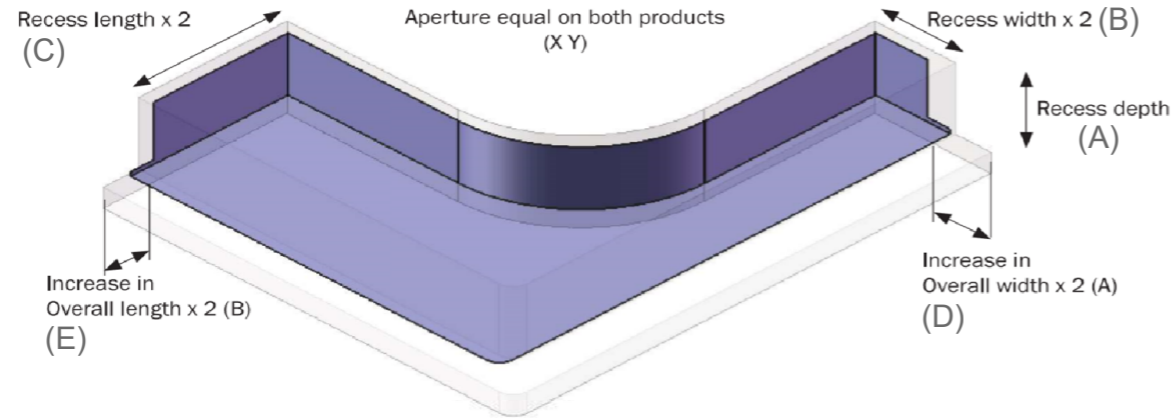
Please see page 2 for a comparison drawing which shows size differences and implications.

Should you have any questions or for further information, please contact your Sales Representative.

Warm Regards,
The Dometic Blinds Team



SKYSCREEN ROLLER RECESSED Compare Mk4 SS to RSS



Notes

With the aperture size the same on both products, the MK 5 is larger by:

- A. 6mm (1/4") in recess depth
- B. 12.2mm (1/2") in recess width
- C. 7mm (1/4") in recess length
- D. 33.8mm (1 5/16") in overall width (side rail frame)
- E. 22.6mm (7/8") in overall length (roller cover frame)

Note: all dimensions common to all sizes

