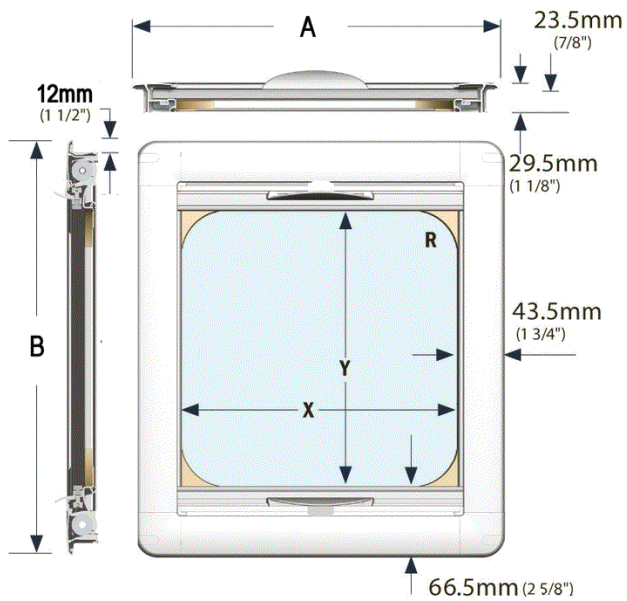


## SKYSCREEN Roller Recessed Product Guide

Hatch Code	Manufacturer	X	Y	A	B
10	Lewmar	257mm [10 1/8"]	257mm [10 1/8"]	344mm [13 5/8"]	390mm [15 5/8"]
20	Lewmar	344mm [13 9/16"]	199mm [7 13/16"]	431mm [17 1/16"]	332mm [13 1/3"]
30	Lewmar	454mm [17 7/8"]	324mm [12 3/4"]	541mm [21 3/8"]	457mm [18 1/4"]
40	Lewmar	418mm [16 7/16"]	418mm [16 7/16"]	505mm [19 15/16"]	551mm [22"]
44	Lewmar	439mm [17 5/16"]	439mm [17 5/16"]	526mm [20 13/16"]	572mm [22 4/5"]
50	Lewmar	504mm [19 13/16"]	375mm [14 3/4"]	591mm [23 5/16"]	508mm [20 1/4"]
54	Lewmar	504mm [19 13/16"]	389mm [15 5/16"]	591mm [23 5/16"]	522mm [20 4/5"]
60	Lewmar	504mm [19 13/16"]	504mm [19 13/16"]	591mm [23 5/16"]	637mm [25 1/3"]
70	Lewmar	624mm [24 9/16"]	624mm [24 9/16"]	711mm [8 1/16"]	757mm [30"]
1000	Bomar	275mm [10 13/16"]	275mm [10 13/16"]	362mm [14 5/16"]	408mm [16 1/3"]
1029	Bomar	470mm [18 1/2"]	340mm [13 3/8"]	557mm [22"]	473mm [18 7/8"]
1039	Bomar	514mm [20 1/4"]	514mm [20 1/4"]	601mm [23 3/4"]	647mm [25 3/4"]
1049	Bomar	640mm [25 3/16"]	640mm [25 3/16"]	727mm [28 11/16"]	773mm [30 2/3"]
1070	Bomar	420mm [16 9/16"]	420mm [16 9/16"]	507mm [20 1/16"]	553mm [22"]
1080	Bomar	470mm [18 1/2"]	470mm [18 1/2"]	557mm [22"]	603mm [24"]
1212	Taylor	305mm [12"]	305mm [12"]	392mm [15 1/2"]	438mm [17 1/2"]
2020	Taylor	502mm [19 3/4"]	502mm [19 3/4"]	589mm [23 1/4"]	635mm [25 1/4"]
2222	Taylor	559mm [22"]	559mm [22"]	646mm [25 1/2"]	692mm [27 1/2"]



When selecting a SKYSCREEN ROLLER RECESSED it is important to establish the type and manufacturer of hatch, aperture dimensions (X&Y), overall dimensions (A&B), mounting location and interior design.

For liner installations a precision fit is required as are the details of the radius adaptors and X and Y dimensions.