

Ultra Bow Roller

- Made of hand polished 316L stainless steel
- Articulating car reduces load on deck hardware
- Reduces swinging of anchor upon recovery
- The adjustable retaining bail restrains anchor rode in rough conditions and secures anchor when stowed
- Lock down bar secures anchor shank firmly in place
- Each model accommodates three anchor sizes
- Custom base plate lengths available on request
- Can be ordered un-drilled or pre-drilled to customer specifications



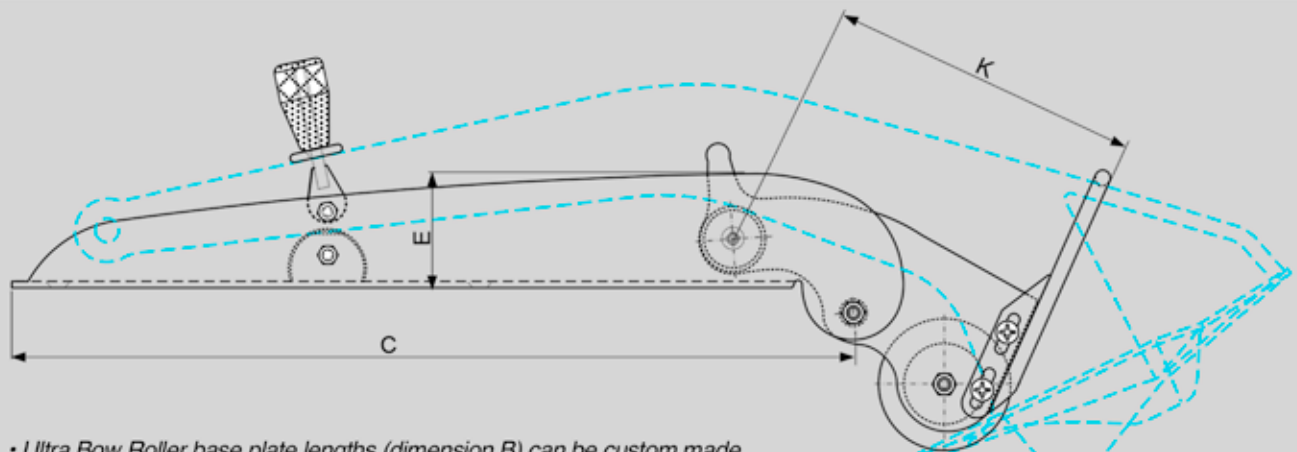
Lock down bar



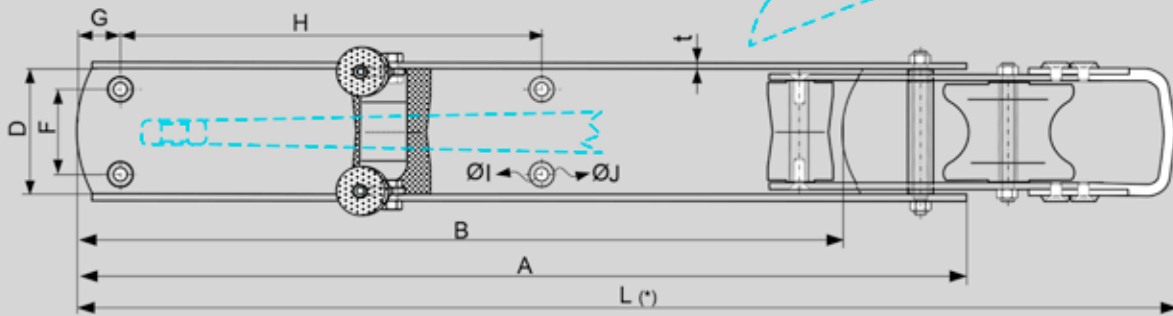
Articulating car



Ultra Bow Roller



- Ultra Bow Roller base plate lengths (dimension B) can be custom made
- For pre-drilled base plates, please provide dimensions F, G, and H
- Actual finished dimensions may vary



MILLIMETERS

Ultra Bow Roller	UAABR 5-11	UAABR 8-18	UAABR 12-26	UAABR 16-35	UAABR 21-46	UAABR 27-60	UAABR 35-77	UAABR 45-100	UAABR 60-132	UAABR 80-176	UAABR 100-220	UAABR 130-290	UAABR 160-350	UAABR 200-440
A	396.8	464	531.2	584.6	639.8	696	759.1	825	908	994.4	1076.9	1175	1259.3	1356.7
B	342.1	400.2	458.2	504.2	551.8	600.3	654.7	711.6	738.2	862	938.9	1013.7	1086.1	1170.2
C	374.5	438	501.5	551.9	604	657	716.7	778.7	857.2	943.4	1016.6	1109.5	1188.7	1280.7
D	55.2	64.6	74	81.4	89.1	96.9	105.7	114.9	126.4	139.1	149.9	163.6	175.3	188.9
E	50.5	59.1	67.7	74.5	81.5	88.7	96.7	105.1	115.7	127.3	137.2	149.7	160.4	172.8
K	141.1	165	188.9	207.9	227.5	247.5	269.9	293.4	322.9	355.4	383	417.9	447.8	482.5
L (*)	536	573	656	721	790	859	937	1018	1121	1234	1329	1450	1555	1675
t	3.0	4.0	4.0	4.0	5.0	5.0	6.0	6.0	6.0	8.0	8.0	8.0	10.0	10.0

INCHES

Ultra Bow Roller	UAABR 5-11	UAABR 8-18	UAABR 12-26	UAABR 16-35	UAABR 21-46	UAABR 27-60	UAABR 35-77	UAABR 45-100	UAABR 60-132	UAABR 80-176	UAABR 100-220	UAABR 130-290	UAABR 160-350	UAABR 200-440
A	15.62	18.27	20.91	23.02	25.19	27.4	29.89	32.48	35.75	39.15	42.4	46.26	49.58	53.41
B	13.47	15.76	18.04	19.85	21.72	23.63	25.78	28.02	29.06	33.94	36.96	39.91	42.76	46.07
C	14.74	17.24	19.74	21.73	23.78	25.87	28.22	30.66	33.75	37.14	40.02	43.68	46.8	50.42
D	2.17	2.54	2.91	3.2	3.51	3.81	4.16	4.52	4.98	5.48	5.9	6.44	175.3	6.9
E	1.99	2.33	2.67	2.93	3.21	3.49	3.81	4.14	4.56	5.01	5.4	5.89	6.31	6.8
K	5.56	6.5	7.44	8.19	8.96	9.74	10.63	11.55	12.71	13.99	15.08	16.45	17.63	19
L (*)	21.1	22.56	25.83	28.39	31.1	33.82	36.89	40.08	44.13	48.58	52.32	57.09	61.22	65.94
t	0.12	0.16	0.16	0.16	0.20	0.20	0.24	0.24	0.24	0.3	0.3	0.3	0.39	0.39

